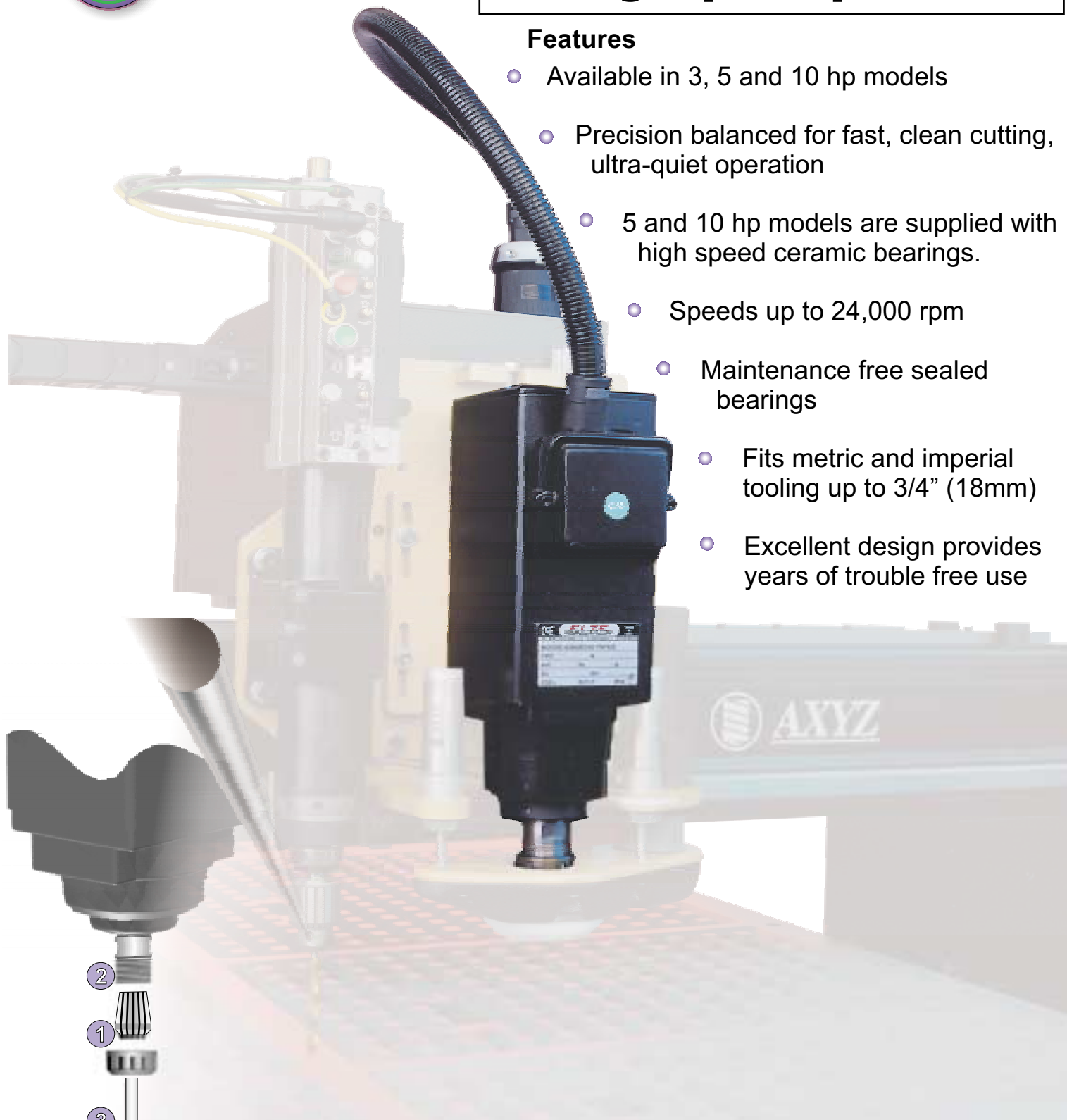


(*'ak-sēz*)  
**WXYZ™**

## Elte High Frequency, High Speed Spindles

### Features

- Available in 3, 5 and 10 hp models
- Precision balanced for fast, clean cutting, ultra-quiet operation
- 5 and 10 hp models are supplied with high speed ceramic bearings.
- Speeds up to 24,000 rpm
- Maintenance free sealed bearings
- Fits metric and imperial tooling up to 3/4" (18mm)
- Excellent design provides years of trouble free use



**Note:** To ensure trouble free operation, always insert the collet into the collet nut until it clicks in, and tighten loosely onto spindle prior to inserting tool bit.



(*'ak-sēz*)  
**WXYZ™**  
 AUTOMATION INC.