

# Legend elite series features higher resolution standard optics (no additional expensive lens packages needed)

## No Additional "High-Definiton" Lens Package Required

In an effort to imitate the engraving quality Epilog Laser systems achieve with our standard lenses, many laser companies offer their high-resolution lens packages as an optional accessory costing thousands of dollars. Epilog includes our Radiance™ High-Definiton Optics package on all laser systems with a table size of 24" (609 mm) or longer. To ensure you have the same engraving *anywhere* on our engraving table, Epilog's Radiance technology allows us to shape the laser beam to a more precise, rounder shape, which really shows in the higher resolution engraving quality you'll achieve with our base system.

## A Rounder Beam for Better Engraving

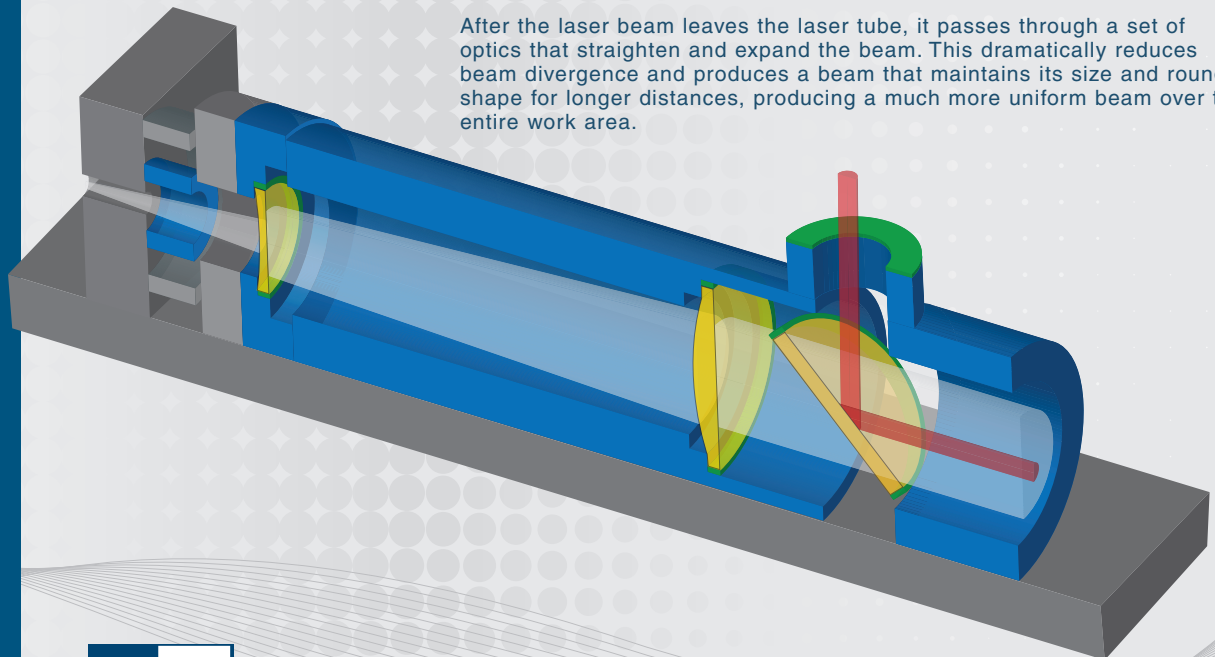
Did you know that all laser beams aren't the same? Older laser technologies, such as slab or glass tube lasers, can produce an oval-shaped laser beam that severely compromises engraving detail - especially if you run the laser at high speeds or over large areas of the table. Epilog uses the latest Waveguide laser tube technology along with our Radiance optics technology to create an optimal beam shape for engraving.

## Deeper, Darker Engraving

Compare Epilog's image quality to any competitor. Make sure you know whether they're using their optional or standard optics package and run the same high-resolution graphics on the two laser systems. In addition to a better image, we're confident you'll see the difference with a deeper, darker engraving created in less time with the Epilog Laser system. Put us to the test - we're up to the challenge!

## Other Optics Benefits in an Epilog Laser System

- All of our lenses are rated to at least 500 watts - over four times higher than our highest wattage laser system.
- A clean lens can last the life of your machine, so we've designed ours for easy maintenance. No covers to remove that can trap debris on the lens and hamper the regular cleaning of this important piece of your equipment.
- Optional 1.5" and 4.0" lenses available.



After the laser beam leaves the laser tube, it passes through a set of optics that straighten and expand the beam. This dramatically reduces beam divergence and produces a beam that maintains its size and round shape for longer distances, producing a much more uniform beam over the entire work area.



16371 Table Mountain Parkway  
Golden, CO 80403

+1 303.277.1188  
888.437.4564

[www.epiloglaser.com](http://www.epiloglaser.com)  
[sales@epiloglaser.com](mailto:sales@epiloglaser.com)



**MADE IN USA**

02/2011